

Nilfisk

COMPACT VAC



The Compact Vac with wheeled floor nozzle for general cleanup.

The Compact Vac may be equipped with a needle descaler or other power tool for dust-free descaling, sanding, drilling or grinding.



The pneumatic Compact Vac combines compressed air capabilities with a small, take-anywhere vacuum cleaner.

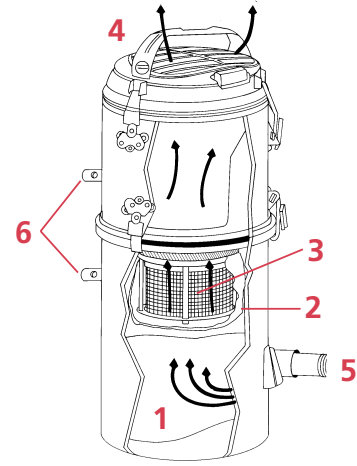
The Compact Vac makes ongoing maintenance and inspection, especially elevated jobs, safer and easier.



The Compact Vac being used by an AHERA team to clean a contaminated classroom.

NILFISK COMPACT VAC FEATURES

1. In this first stage of separation, a disposable paper bag captures the bulk of collected debris.
2. This microfilter protects the HEPA filter and acts as a barrier to even bacteria-sized particles.
3. Optional HEPA filter ensures that 99.97% of all ultrafine particles, toxic and nuisance, are retained down to and including 0.3 microns. Can also be mounted on top of the motor to prevent air bypass.
4. Motor thermal protection device prevents overheating caused by failure to keep filters clean or by accidental blockage in a nozzle or hose.
5. Ball-joint couplings give 360° freedom of movement without hoses splitting and cracking, and eliminate knots.
6. Pins for optional back pack. Adds mobility and allows operation in confined areas.



GUIDELINES FOR WRITING YOUR PURCHASE SPECIFICATIONS

MOTOR

1. Motor must be interference suppressed so it will not affect electronic equipment and must include a thermal protection device to prevent overheating and burnout.
2. Motor must supply airflow of 87 cfm and 102" waterlift*, measured with sealed orifice.
3. Noise level should not exceed 59 dB(A) measured at a distance of 6 1/2 ft. from the cleaner.

CONTAINER AND BACK PACK

1. Container capacity must be approximately 1 gallon dry bulk and have optional disposable paper bag.
2. Vacuum must have optional Back Pack available.
3. Vacuum container must be stainless steel.

HOSE

1. Hose must have ball-joint connections at both ends to eliminate stress and prevent cracking.
2. Hose should be tapered to reduce risk of blockage.

FILTRATION

1. Vacuum must have up to three-stage filtration capability including (a) disposable paper bag, (b) microfilter and (c) glass fiber exhaust filter (HEPA or ULPA).
2. Microfilters must be 99.5% efficient at 2 microns. HEPA filters must be 99.97% efficient at 0.3 microns in particle size. ULPA filters must be 99.999% efficient at 0.12 microns. All HEPA and ULPA filters must be individually DOP-tested and certified and have a normal service life of not less than one year.
3. HEPA filters must be available to mount before the motor or on the motor to prevent air bypass.

WARRANTY

All equipment must be covered by a two-year warranty against defects in workmanship and materials.

COMPACT VAC SPECIFICATIONS

Motor type, grounded	GMPJ
Voltage, volts	110-120
Current draw, amps	9
Watts consumed, watts	1100
Waterlift*, inches	102
Airflow, cubic ft./min.	87
Air performance, air watts	250
Filter type: standard cotton, optional GORE-TEX®	
Tank capacity, gallons dry bulk	1
Paper bag capacity, gallons dry bulk	1
Filter area**, square inches	1151
Height, inches	22
Diameter, inches	10.5
Weight alone, lbs.	14
Weight with back pack, lbs.	17
Sound level, dB(A) at 6 1/2 ft. from vacuum	59

Standard Accessories: main filter, 50' power cord.

Additional Accessories: back frame, HEPA or ULPA exhaust filter, HEPA or ULPA internal filter, paper bags.

* With pressure relief valve inactive.

** Filter area includes: internal HEPA filter, main filter, paper bag.

®GORE-TEX is a registered trademark of W.L. Gore & Assoc.

Equipment leasing is available.
Contact your Nilfisk-Advance America representative for details.

Printed in U.S.A
PS121 4/99



**Nilfisk
Advance**

setting standards

Nilfisk-Advance America, Inc., 300 Technology Drive, Malvern, PA 19355, (610) 647-6420, www.pa.nilfisk-advance.com
Nilfisk-Advance Canada Company, 396 Watline Avenue, Mississauga, Ontario L4Z 1X2, Canada, (905) 712-3260

Since this product is continually being improved, these specifications may change without notice.